

Name :

Teacher :

S1 Official Homework Volume

Created by Mr Lafferty
St. Ninian's High School

This homework covers topics

Score

Basic Skills

Harder Volume

Volume

Working backwards

Basic Volume

Composite Volume

26

Teacher Comments :

Pupil's Comment :

Q1. Carry out the following instructions. (NON - CALCULATOR QUESTION)

(a) $776.4 - 528.4$

Working :

(b) 133.7×30

Working :

(c) $482.3 \div 7$

Working :

(d) 15% of 390

Working :

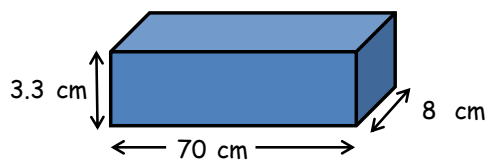
(5 marks)

Q2. Write a sentence to describe volume.

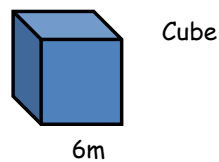
(2 marks)

Q3. Calculate the volume for each shape.

(a)



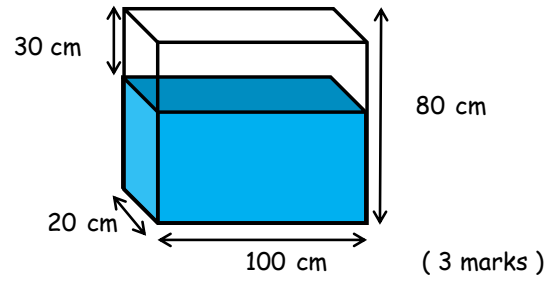
(b)



(6 marks)

Q4. A cuboid shaped tropical fish tank is filled with water.

Calculate the volume of water in the tank.



Q5. A packet of cereal is cuboid in shape. The volume of the packet is 2856 cubic centimetres.

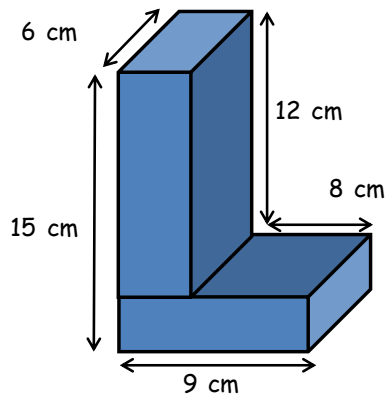
The length is 14cm and the breadth is 6cm.



(3 marks)

Calculate the height of the packet.

Q6. Calculate the volume of this composite shape.



(7 marks)