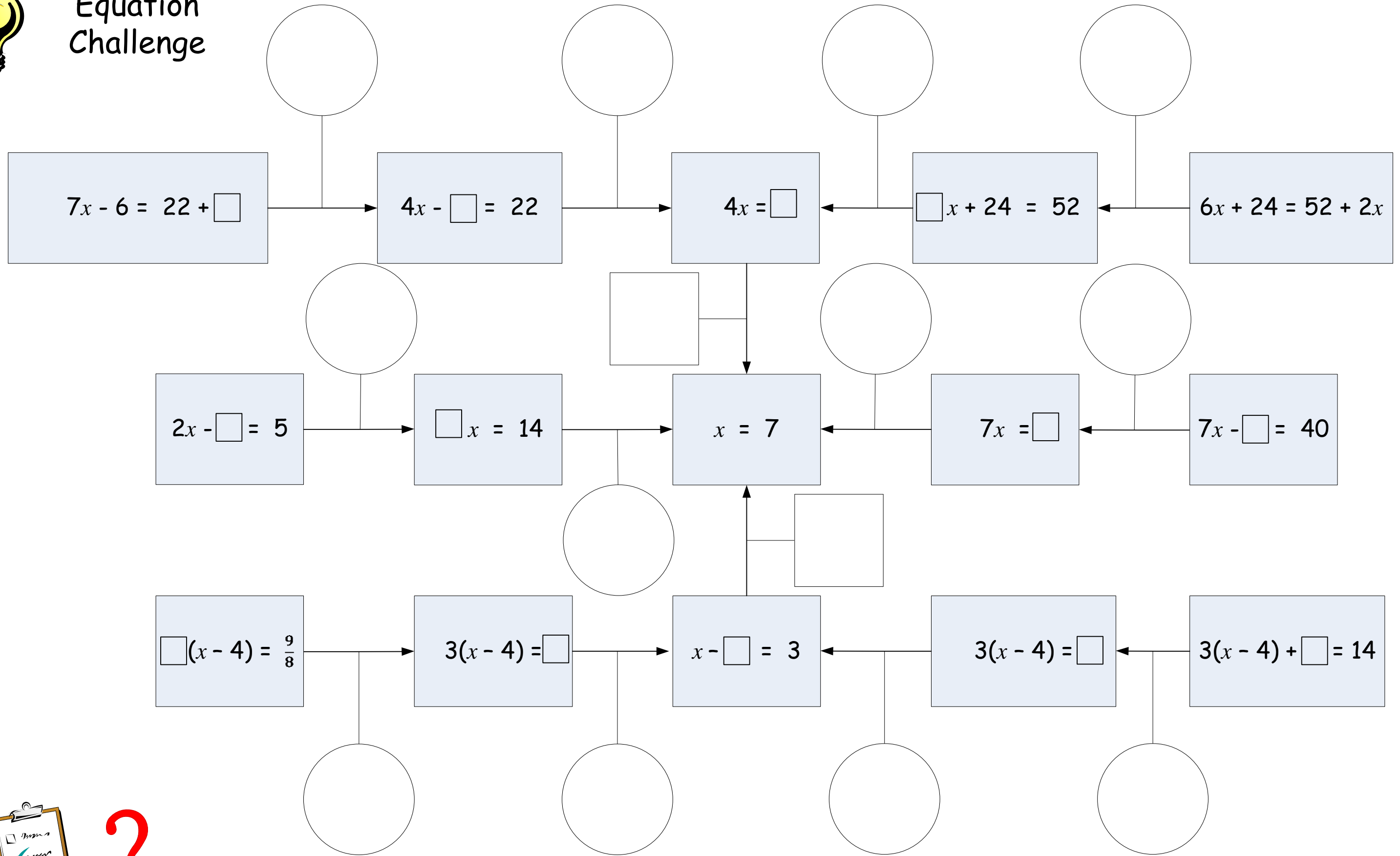




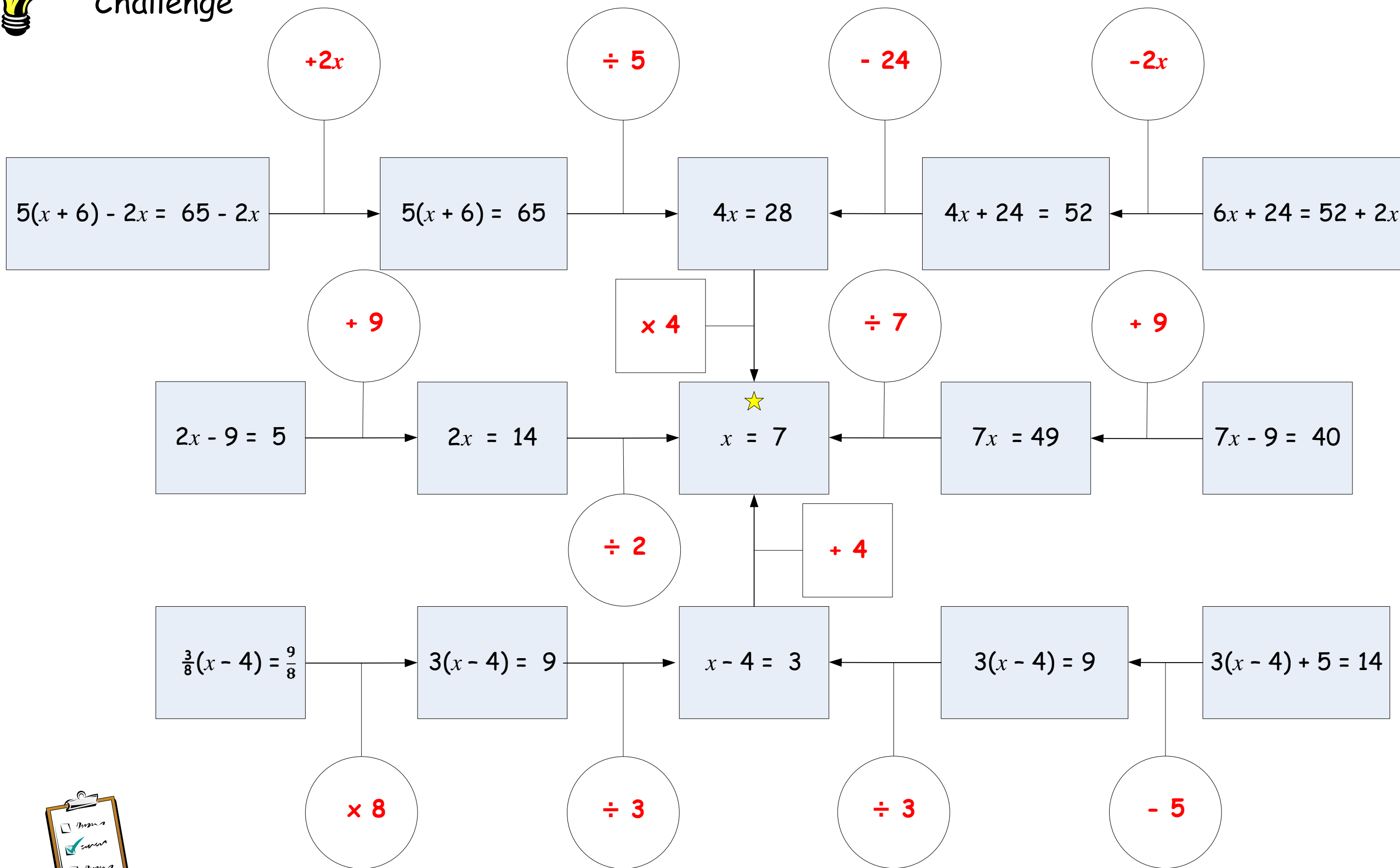
# Equation Challenge



Fill in the boxes and circles



# Equation Challenge



Fill in the boxes and circles